

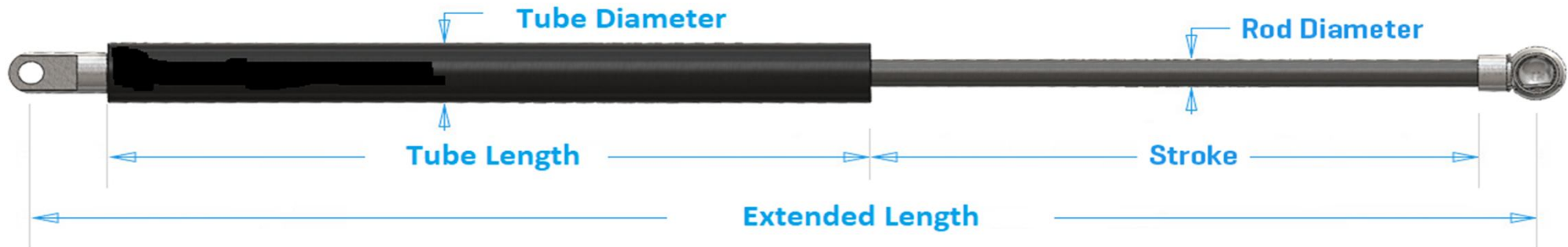
FIXED FORCE GAS SPRINGS



RPR GROUP

fixed force gas Springs manufactured in the india by india enterprises - the india's leading manufacturer of gas springs and covered by a 1 year warranty. 5 KG TO 200 KG force range. Please select the length of your gas spring from below. If you would like assistance selecting the correct gas spring then please contact our team.

156 MODEL



| PART NO | ROD DIA (MM) | TUBE DIA (MM) | STROKE (MM) | EXT LENGTH (MM) | END FITTINGS | FORCE RANGE (KG) |
|------------------------|--------------|---------------|-------------|-----------------|---|------------------|
| GS-156-155-60-END FTNG | 6.0 | 15.0 | 40 | 155 | 1) PLASTIC JOINT 2) EYELET 3) METAL JOINT | 5-35 KG |
| GS-156-155-60-END FTNG | 6.0 | 15.0 | 60 | 225 | 1) PLASTIC JOINT 2) EYELET 3) METAL JOINT | 5-35 KG |
| GS-156-155-60-END FTNG | 6.0 | 15.0 | 94 | 300 | 1) PLASTIC JOINT 2) EYELET 3) METAL JOINT | 5-35 KG |
| GS-156-155-60-END FTNG | 6.0 | 15.0 | 150 | 385 | 1) PLASTIC JOINT 2) EYELET 3) METAL JOINT | 5-35 KG |

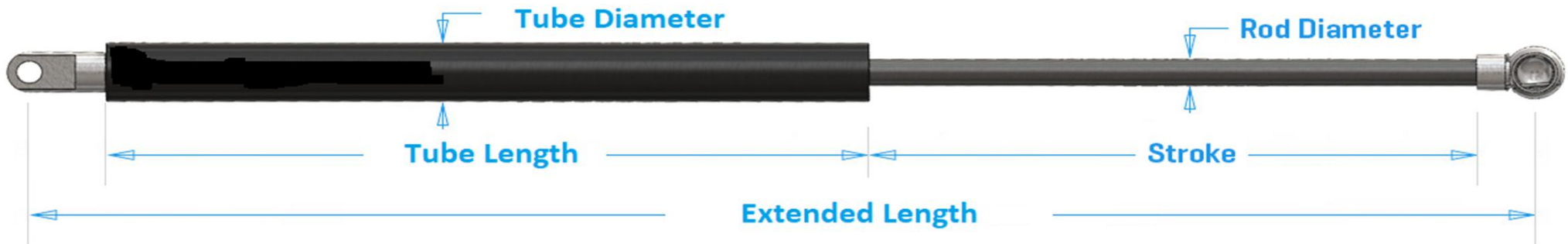
www.rprgassprings.com

FIXED FORCE GAS SPRINGS

188 MODEL



RPR GROUP



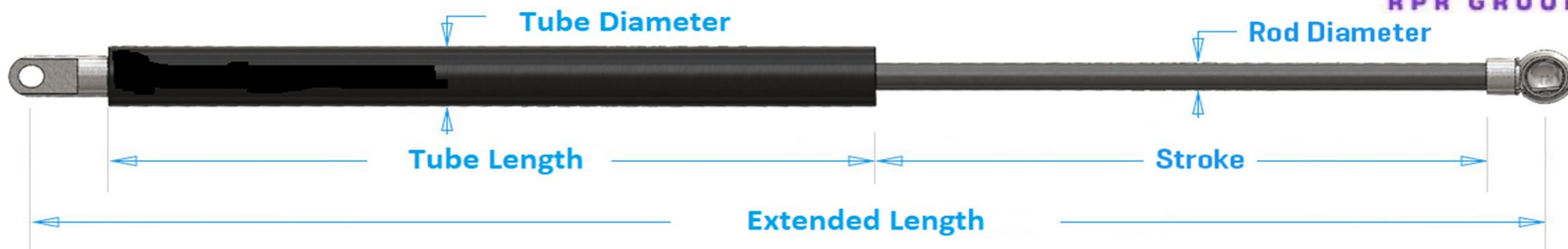
| PART NO | ROD DIA (MM) | TUBE DIA (MM) | STROKE (MM) | EXT LENGTH (MM) | END FITTINGS | FORCE RANGE (KG) |
|-------------------------|--------------|---------------|-------------|-----------------|---|------------------|
| GS-188-225-60-END FTNG | 8.0 | 18.0 | 60 | 225 | 1) PLASTIC JOINT 2) EYELET 3) METAL JOINT | 5-50 KG |
| GS-188-300-94-END FTNG | 8.0 | 18.0 | 94 | 300 | 1) PLASTIC JOINT 2) EYELET 3) METAL JOINT | 5-50 KG |
| GS-188-371-140-END FTNG | 8.0 | 18.0 | 140 | 371 | 1) PLASTIC JOINT 2) EYELET 3) METAL JOINT | 5-50 KG |
| GS-188-446-175-END FTNG | 8.0 | 18.0 | 175 | 446 | 1) PLASTIC JOINT 2) EYELET 3) METAL JOINT | 5-50 KG |
| GS-188-446-175-END FTNG | 8.0 | 18.0 | 200 | 497 | 1) PLASTIC JOINT 2) EYELET 3) METAL JOINT | 5-50 KG |
| GS-188-595-245-END FTNG | 8.0 | 18.0 | 245 | 595 | 1) PLASTIC JOINT 2) EYELET 3) METAL JOINT | 5-50 KG |

FIXED FORCE GAS SPRINGS

2110 MODEL



RPR GROUP



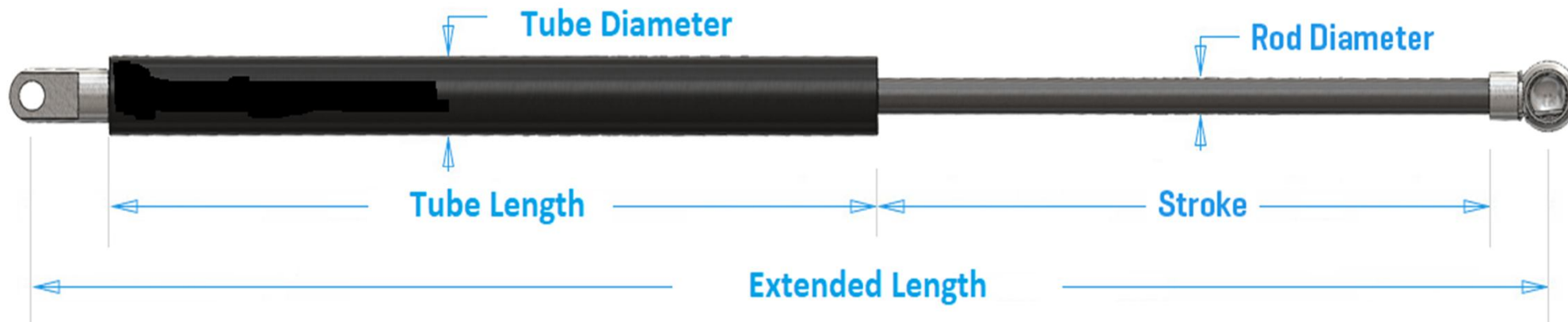
| PART NO | ROD DIA (MM) | TUBE DIA (MM) | STROKE (MM) | EXT LENGTH (MM) | END FITTINGS | FORCE RANGE (KG) |
|--------------------------|--------------|---------------|-------------|-----------------|-----------------------------|------------------|
| GS-2110-309-100-END FTNG | 10 | 21.0 | 100 | 300 | 1) EYELET 2) METAL JOINT | 10-75 KG |
| GS-2110-340-125-END FTNG | 10 | 21.0 | 125 | 340 | 1) EYELET 2) METAL JOINT | 10-75 KG |
| GS-2110-420-125-END FTNG | 10 | 21.0 | 165 | 420 | 1) EYELET 2) METAL JOINT | 10-75 KG |
| GS-2110-460-182-END FTNG | 10 | 21.0 | 182 | 460 | 1) EYELET 2) METAL JOINT | 10-75 KG |
| GS-2110-485-200-END FTNG | 10 | 21.0 | 200 | 485 | 1) EYELET 2) METAL JOINT | 10-75 KG |
| GS-2110-595-245-END FTNG | 10 | 21.0 | 245 | 595 | 1) EYELET 2) METAL JOINT | 10-75 KG |

FIXED FORCE GAS SPRINGS

2814 MODEL



RPR GROUP



| PART NO | ROD DIA (MM) | TUBE DIA (MM) | STROKE (MM) | EXT LENGTH (MM) | END FITTINGS | FORCE RANGE (KG) |
|--------------------------|--------------|---------------|-------------|-----------------|-----------------------------|------------------|
| GS-2814-309-100-END FTNG | 14 | 28 | 100 | 309 | 1) EYELET 2) METAL JOINT | 20-200 KG |
| GS-2814-340-125-END FTNG | 14 | 28 | 125 | 340 | 1) EYELET 2) METAL JOINT | 20-200 KG |
| GS-2814-420-165-END FTNG | 14 | 28 | 165 | 420 | 1) EYELET 2) METAL JOINT | 20-200 KG |
| GS-2814-595-245-END FTNG | 14 | 28 | 245 | 595 | 1) EYELET 2) METAL JOINT | 20-200 KG |